

(12) **UK Patent Application** (19) **GB** (11) **2 390 700** (13) **A**

(43) Date of A Publication **14.01.2004**

(21) Application No: **0208612.2**

(22) Date of Filing: **15.04.2002**

(71) Applicant(s):
Alphamosaic Limited
(Incorporated in the United Kingdom)
Science Park, Milton Road, CAMBRIDGE,
CB4 0DW, United Kingdom

(72) Inventor(s):
Stephen Barlow
Neil Bailey
Timothy Ramsdale
David Plowman
Robert Swann

(74) Agent and/or Address for Service:
Page White & Farrer
54 Doughty Street, LONDON, WC1N 2LS,
United Kingdom

(51) INT CL⁷:
G06F 12/08

(52) UK CL (Edition W):
G4A AMC

(56) Documents Cited:
WO 2001/031418 A2 **US 6202120 A**

(58) Field of Search:
UK CL (Edition V) **G4A**
INT CL⁷ **G06F**
Other: **WPI, EPODOC, PAJ**

(54) Abstract Title: **Narrow/wide Cache**

(57) A method for transferring data, between a first device and second device in a core processor including a data cache, comprising the steps of, when said first device supports wide data transfer and said transfer of data comprises a data write operation from said first device to said second device, writing said data to the second device without writing the data to said data cache.

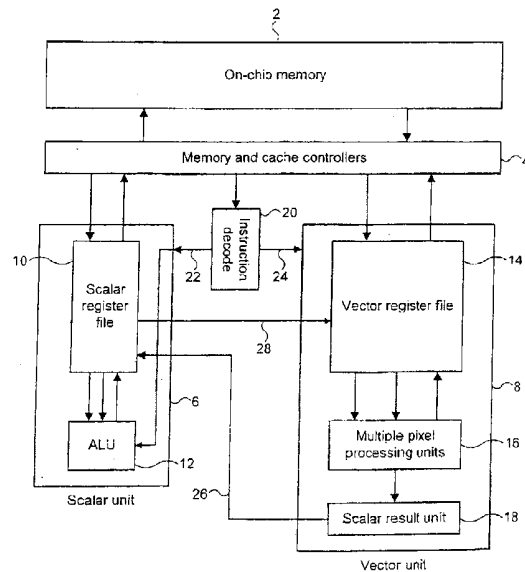


FIG. 1

GB 2 390 700 A